



Uliti-Spiral Door

EXTREMELY FAST

HIGHLY INSULATED

COMPLETELY SECURE



0800 807 753

ultigroup.co.nz

Nowadays, in order to save on heating costs in production and logistics halls, building owners and planners demand door solutions with insulating properties that also minimise draughts. Ulti Group presents the optimum solution: the Ulti-Spiral Door, a forward-looking industrial door that fulfils all the demands of the 21st century.

A Technology Leap For More Thermal Insulation

This door combines the resistance and thermal insulation of a modern industrial door with all the advantages of a high-speed door:

- **HIGH STRENGTH** - secure and visually attractive
- **ACOUSTIC PROPERTIES** - 22dB noise reduction
- **THERMAL INSULATION** - Maximise energy savings
- **HIGH SPEED** - fully variable speeds up to 2.5m/second
- **HIGH WIND RETENTION** - wind load rating of 130 km/h!
- **SAFETY** - utilises the most advanced safety systems available

There are also numerous other design details that give this door the edge in the market. For example, repairs of unavoidable collision damage are quick and inexpensive. Specially developed profile connections make it possible to exchange damaged door sections easily and quickly. The door is very quiet to operate, and has acoustic insulation of 22dB. And what's more, the latest safety technology comes as standard with each door.

The Ulti-Spiral Door certainly has a lot to offer; it is built to last, is very versatile, and has amazing technological detail which spells out its superiority. Every detail has been tailored to provide a door of outstanding quality. And what's more - it looks fabulous! There is no doubt it integrates all the quality and functionality required in industrial sites today and the future.



The spiral door HS 7030 PU is characterised by an elegant Micrograin surface finish with hot-galvanized, double-skinned steel sections providing excellent thermal insulation, fast opening speeds thanks to non-contact roll-up technology and a standard safety light grille.

OPTIONAL GLAZING

26-mm-thick DURATEC double glazing guarantees maximum scratch resistance and excellent thermal insulation values. An aluminium rail construction in natural finish E6/EV1 divides the glazing using stabilising intermediate spacers. DURATEC triple glazing is also available on request for even better thermal insulation.



UNIFORMLY FOAMED STEEL SECTIONS

Hot-galvanized, double-skinned sections with Ulti-Spiral Door rigid foam infill provide for particularly high thermal insulation with a UD value of $1.95 \text{ W}/(\text{m}^2\text{K})^*$. Doors are supplied as standard in white aluminium RAL 9006). The exterior is characterised by the fine Micrograin lines, on the interior the sections are Stucco-textured.



NON-CONTACT SAFETY

The safety light grille integrated in the frame monitors the closing zone of the door up to a height of 2500 mm. This does away with the need for additional installations on the door (e.g. closing edge safety device, photocell). Profit from this high level of safety with a high-speed door that is exceptionally easy to fit and service.



NON-CONTACT ROLL-UP TECHNOLOGY

The sections are guided in a spiral bracket for especially fast opening speeds and precise door travel. Thanks to non-contact roll-up technology, there is no wear on the door sections, which helps the door to keep its exclusive appearance for a long time. In addition, the standard frequency converter control takes stress off the entire door mechanism, thus extending the service life of the door.

* For 25 m^2 door surface

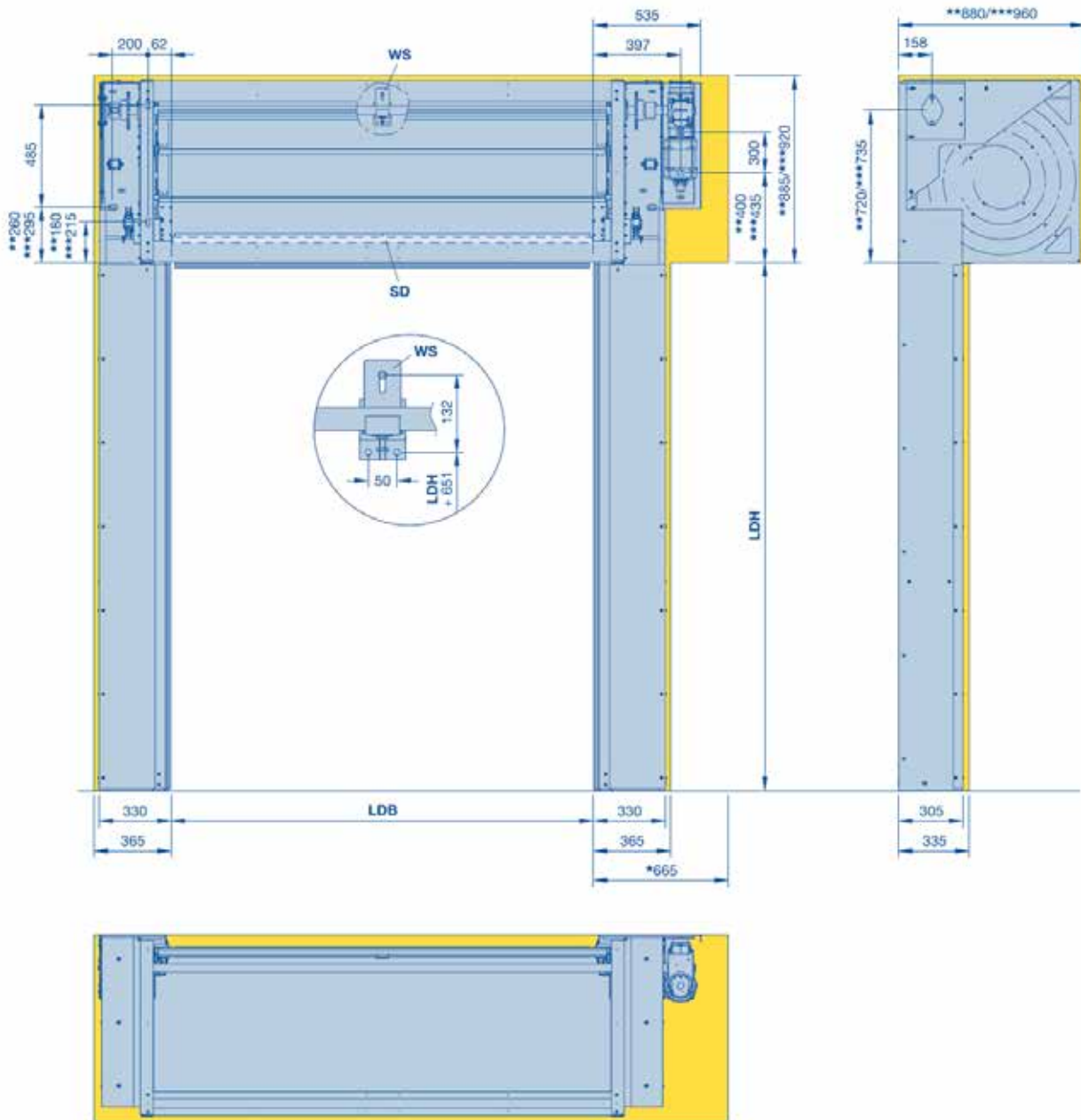
Specifications



SPEED WITH A TOP DESIGN

The foamed sections and Micrograin surface of the powerful High Speed Spiral Door, make it the epitome of modern industrial design. The combination with the powerful 3-phase frequency converter control (FU) enables opening speeds of up to 2.5 m/sec. The sections are securely guided in the spiral bracket without contacting each other.

Size range	Max. width (LDB): 6500 mm
	Max. height (LDH): 6000 mm
Speed	
With standard FU control AS 500 FU E	
Max. opening speed	2.5 m/sec.
Max. closing speed	0.5 m/sec.
Emergency opening/emergency closing hand chain with spring compensation support	
Door leaf	
Material:	Steel sandwich construction, foamed Optionally with DURATEC glazing
Depth:	42 mm
Section height:	225 mm
Hinge connections from approx. 3500 mm door width	
Resistance to wind load (EN 12424)	Class 4 ~ 130 km/h
Acoustic insulation (EN 717-1)	R = 22 dB
Thermal insulation (EN 13241) For 25 m ² door size	UD = 1.95 W/(m ² K)
Door leaf colours	Available in over 200 colours based on RAL.



* Space required to fit/dismantle the operator

LDH Clear passage height

WS Shaft Supports

** If LDH < 5000 mm

LDB Clear passage width

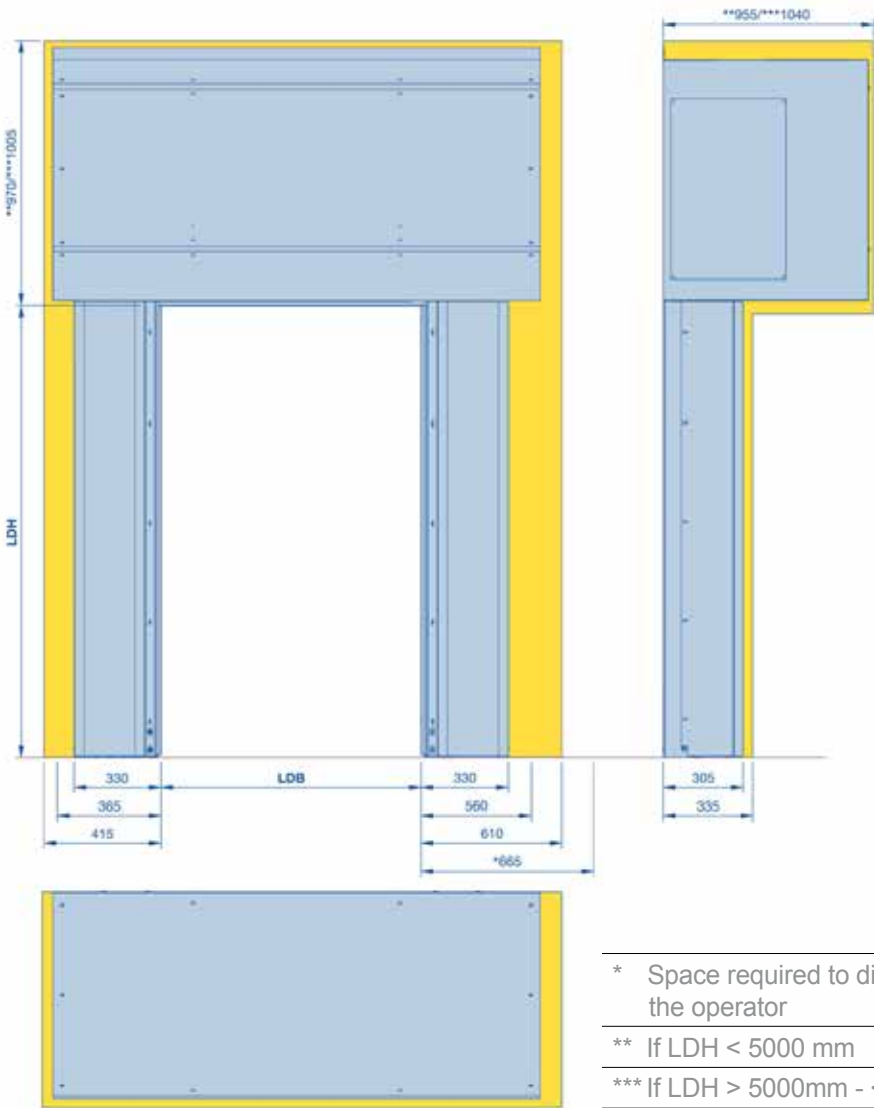
LDB > 3315 = 1 unit in centre

*** If LDH > 5000mm - < 6000mm

SD Lintel seal = LDH + 90

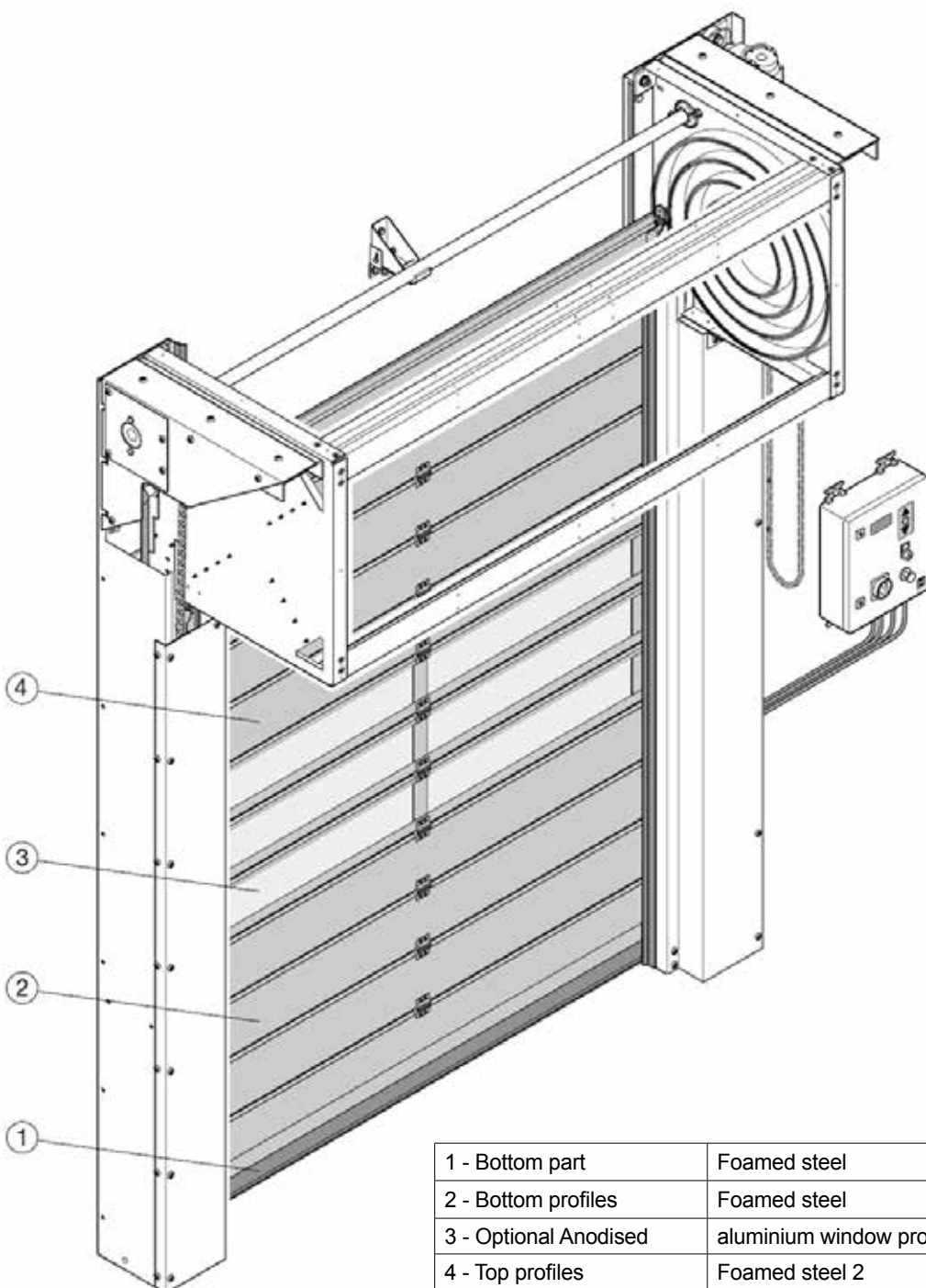
LDB = 2 units equally distributed

Technical Drawing



* Space required to dismantle the operator	LDH Clear passage height
** If LDH < 5000 mm	LDB Clear passage width
*** If LDH > 5000mm - < 6000mm	

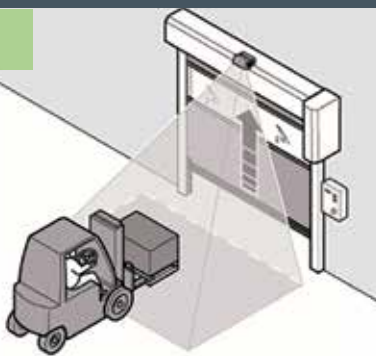
Curtain Division



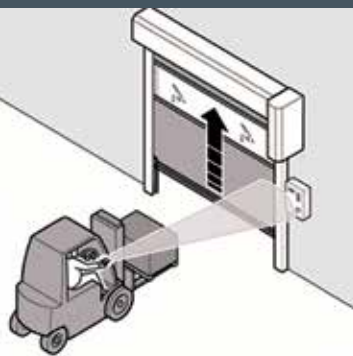
1 - Bottom part	Foamed steel	320 mm
2 - Bottom profiles	Foamed steel	225 mm
3 - Optional Anodised	aluminium window profiles	225 mm
4 - Top profiles	Foamed steel 2	225 mm

Use	Internal door	Suitable	
	External Door	Suitable	
Speed	Opening speed approx. m/sec	1.5 – 2.5	
	Closing speed approx. m/sec	0.5 – 0.8	
Safety equipment	DIN EN 13241.1	Standard	
Resistance to wind load	DIN EN 13424	Class 4	
Resistance to water penetration	DIN EN 12425	Class 3	
Air permeability	DIN EN 12426	-	
Transmission of heat	DIN EN 13428	1.0	
Acoustic insulation	DIN EN 52210 dB	22	
Shutter sizes	Max. width LDB	6500	
	Max. height LDH	6000	
Fitting dimensions (space requirement) (see also the Technical Manual)	Operator side (with cladding)	510 (610)	
	Bearing side (with cladding)	365 (415)	
	Lintel (with cladding)	-	
	Lintel LDH up to 5000mm (with cladding)	885 (970)	
	Lintel LDH from 5001 to 6000mm (with cladding)	920 (1005)	
	Control in steel	400x600x200	
Door construction	Self-supporting side columns	Standard	
Door leaf counterbalance		Standard	
Door leaf	Double-skinned section thickness	42mm	
	Foamed door leaf - Fire retarding polyurethane	Standard	
Material/surface of door leaf	Steel, RAL 9006	Standard	
	Wet coating in RAL to choose	Optional	
	Aluminium rail window, anodised aluminium E6/EV1	Optional	
Glazing	Double synthetic panes	Optional	
	Triple synthetic panes	Optional	
Ventilation grille	Ventilation cross section depending on size/version (min. 30%)	Optional	
Operator and control	Frequency Inverter	Standard	
	Connecting voltage	3-400 V, N, PE	
	Open-Stop-Close button	Optional	
	Main switch all-pole switch off	Isolator By others	
	Fuse protection	16 A. slow-acting	
	Protection category for operator and control	IP 54	
	Emergency - Off button	Optional	
	Safety System	Safety light grille IP 67	Standard
	Door area monitoring	Radar presence detector	Optional
		Induction loop	Optional
	Hold-open phase in sec.	1-2000	
	Closing edge safety device	Standard	
	Electronic limit switch DES	Standard	
Emergency opening	Emergency hand chain	Standard	
	Counter weight/spring	Standard	

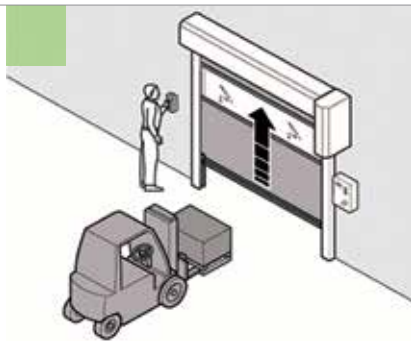
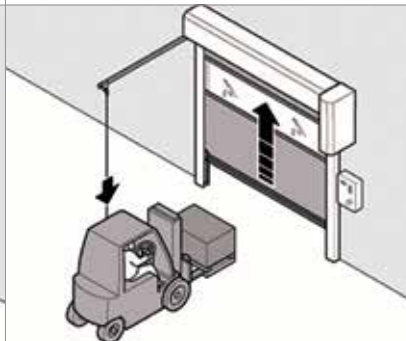
Accessories: Activations And Operating Options

**MICROWAVE RADAR SENSORS**

Radar movement and presence detection with infrared detection. Quick and targeted automatic door opening. Reliable protection of the area in front of the door. Up to max. 6m height. In areas with high levels of humidity and in outside areas, only the radar function is available. Housing: protection category IP65

**PRESENCE DETECTOR****RADIO REMOTE CONTROLS**

Available in 1 channel or 4 channel
Heavy duty forklift mounted version available

PULL SWITCH**MANUALLY OPERATED IMPULSE****PULL SWITCH WITH PLASTIC PULL CORD**

Horizontal or vertical fitting possible,
die-cast aluminium housing IP 65,
cord length 4 m. Housing: protection category IP65

MUSHROOM BUTTON

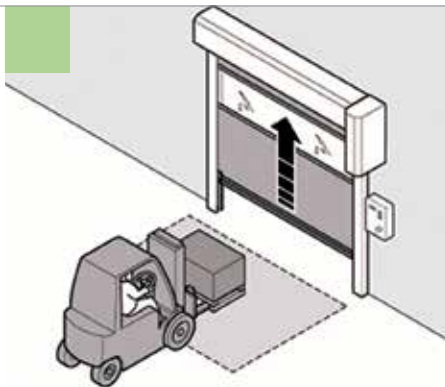
With large operating surface, Plastic housing IP 65 (optional upgrade from small push button to large push button).

**PUSH BUTTON**

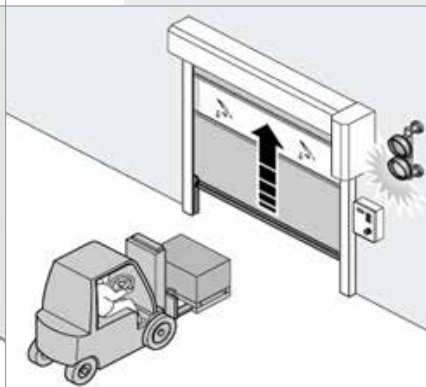
2 x "Open/Close",
Plastic housing,
IP65

INDUCTION LOOP DETECTOR

1 or 2 channel plug-in print. suitable for two separate induction loops. Includes supply and installation of loop cables.



INDUCTION LOOP



SAFETY EQUIPMENT



WARNING LIGHT
Ø 150 MM
Red
in a plastic housing,
with mounting strap
IP 65



WARNING LIGHT
Ø 150 MM
Red, green
in a plastic housing
with fitting support
IP 65



ROTATION WARNING LIGHT
Red or yellow
in a plastic housing
IP 54

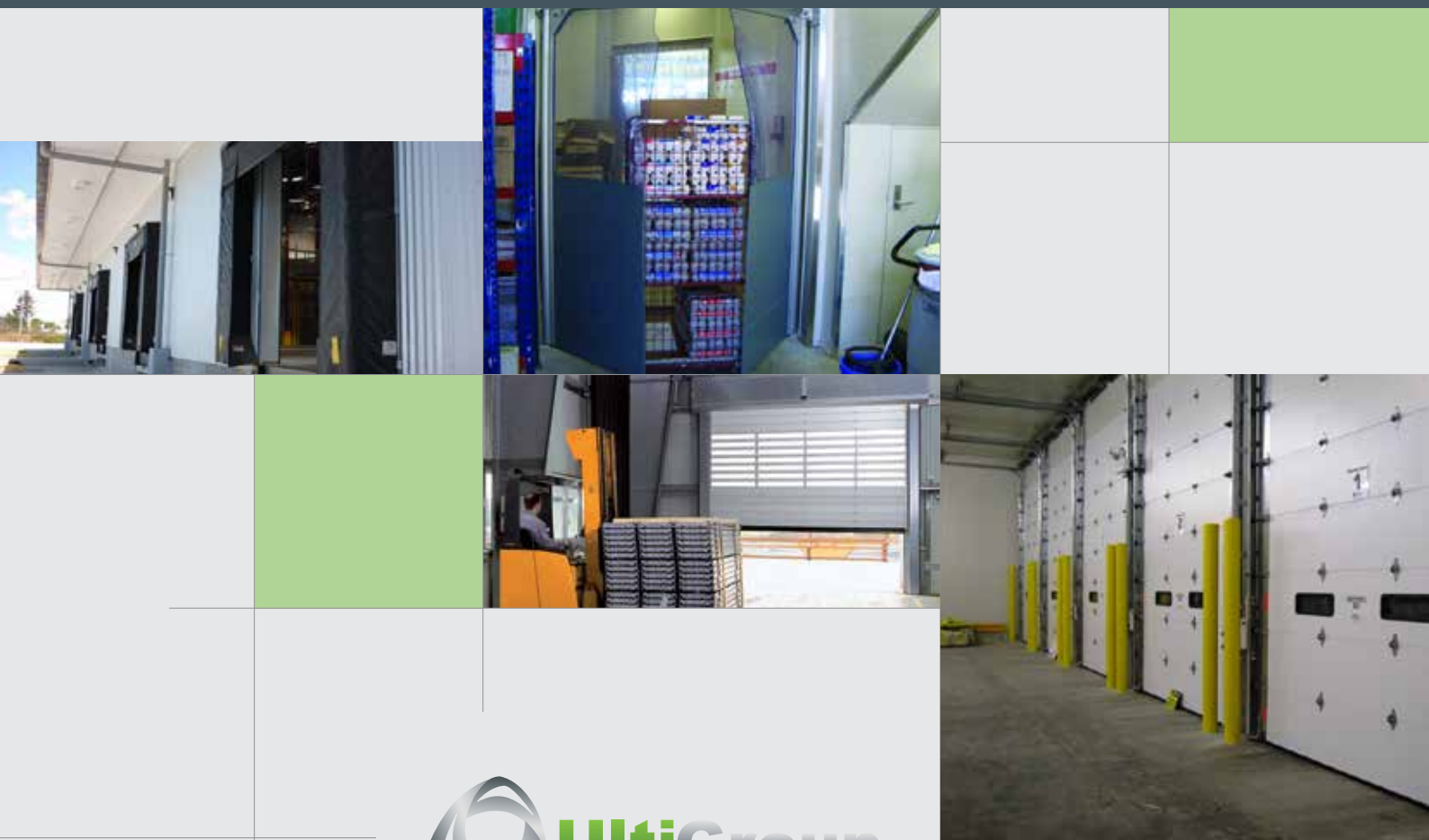


FLASHING WARNING LIGHT
Orange
in a plastic housing
IP 65



www.ultigroup.co.nz

Rapid Action Doors To Suit Any Application NZ Wide Installation And Service



0800 807 753 | www.ultigroup.co.nz | sales@ultigroup.co.nz

Northland, Auckland, Waikato, Bay of Plenty, Taranaki, Manawatu, Wellington, Marlborough, Nelson, Christchurch