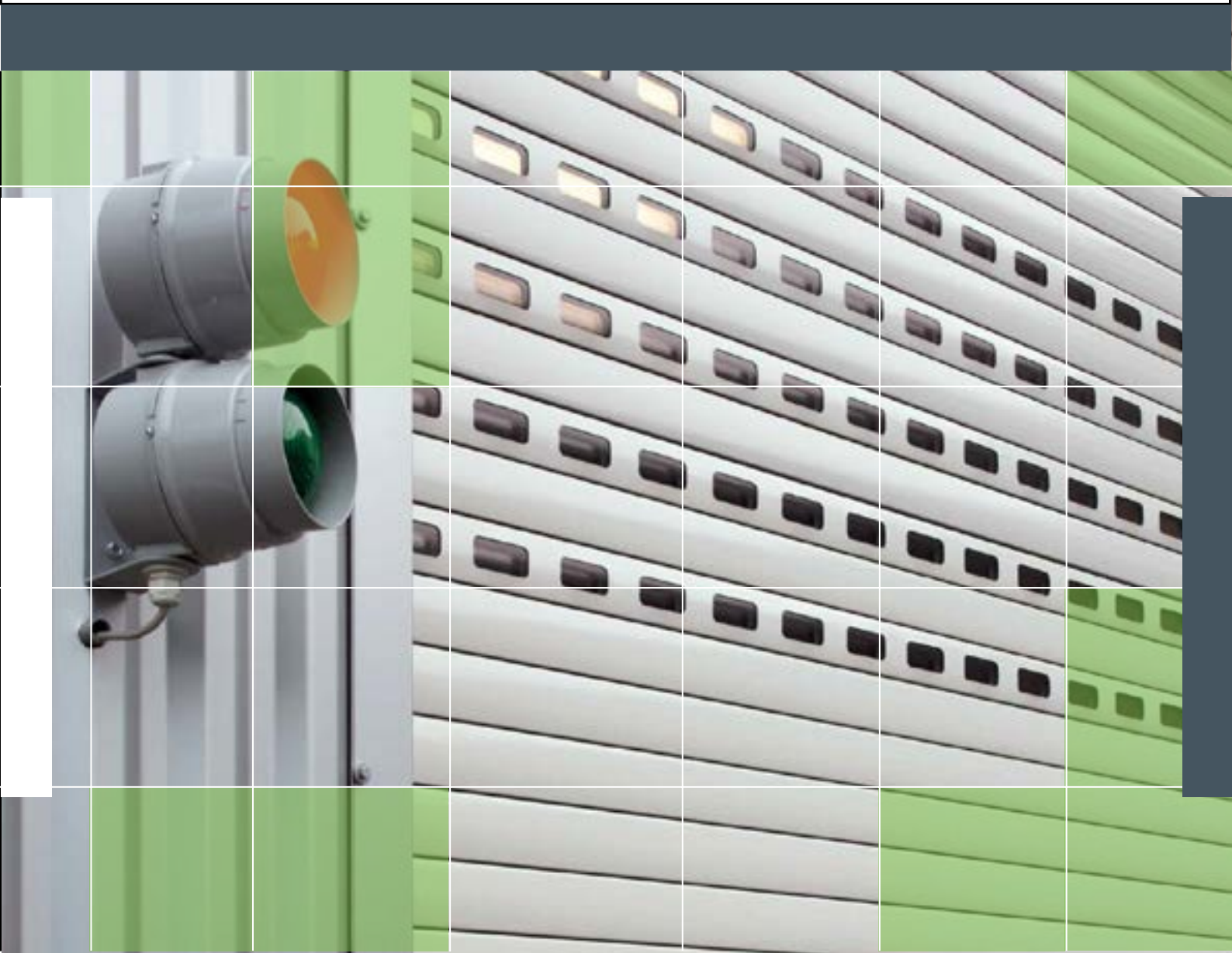




## Uliti AluSpeed Shutter



SPECIALIST DOOR SOLUTIONS

0800 807 753

[ultigroup.co.nz](http://ultigroup.co.nz)

## ROLLING SHUTTERS IN ALUMINIUM OR STEEL

### INDIVIDUAL AND UNIVERSAL



Our rolling shutters can be supplied in standard or custom sizes to suit your specific needs. All products supplied conform to the latest directives and standards.

The profile design and high quality clear varnish coating of the aluminium shutters make your rolling shutter the calling-card of your premises. Painted surfaces are also available on request.

### SECURITY TESTED

All our rolling shutters have the necessary certifications and have been security tested to most standard sizes.

Included within these tests, are the direct drives with integrated fail-safe devices which is an important section of the standards to which our doors fully comply.



### EUROPEAN SAFETY AND SECURITY STANDARDS

In accordance with the European EN 13241-1 standard, industrial doors must meet a large number of safety requirements. These focus on preventing that people and goods should not suffer injury or damage when the door is used. The risk of being trapped must be limited to a minimum and a door may not suddenly free fall because a cable or spring has broken or because the motor or controls have failed.

Ulti Group's Alu-speed Shutter Door strictly comply with these standards and will happily provide the relevant certificates and test reports.

page 6

#### TH100 ROLLING SHUTTER

Double layered thermally insulated profile in **Natural Aluminium** with **clear varnish finish** as standard, or with a **painting coat** finish on request. Also available with window profiles. Aluminium end profile natural-untreated

page 6

#### TH80 ROLLING SHUTTER

Double layered thermally insulated profile in **Natural Aluminium** with **clear varnish finish** as standard, or with a **painting coat** finish on request. Also available with window profiles.

page 7

#### V80 AND V80 L ROLLING SHUTTER

Single layer profile in **natural aluminium** or **galvanized steel** as standard, also available with a **painting coat** finish on request.

### ROLLING SHUTTER CURTAIN

The profiles are produced with interconnecting hinge quirk sections (for greater detail see page 6 & 7), these sections have a water-draining performance. The roller shutter curtain is fixed to the drum. All floor seals have a good degree of flexibility to compensate for irregular floor levels. TH80 and TH100 profiles are secured against displacement/lateral movement by the inclusion of end locks, V80 profiles are secured in the hinge area.



### DIRECT DRIVE (STANDARD)

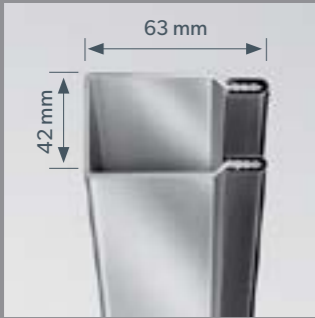
Low maintenance, completely oilsealed, encased worm-drive safety gear, attached directly to the steel shaft of the drum, with clearly reduced installation and maintenance effort compared to other alternatives.

Integrated fail-safe device, low maintenance, self-checking and independent of position, as well as an encased limit-switch unit flanged directly onto the gear, with precisely adjustable final and safety limit switches.

Emergency manual crank or fast-action hand-operated chain-hoist for manual operation in case of power failure. All electric connections can be plugged into the drive. Operating voltage 400 V three-phase a.c. current. TÜV & VDE tested.

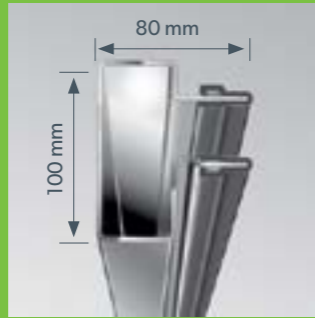


All of the rolling shutters presented here comply with the requirements of EN 13241-1.



**FS1 GUIDE RAIL**  
for rolling shutters V80

Can be used in welding and bolt on construction installation types, and comes with standard low-wear plastic strips for noise reduction.



**FS2 GUIDE RAIL**  
for all our rolling shutters

Galvanized steel guide rail with attached plastic strips, also with side sealing, possible installation methods: welding or without welding using steel connectors.



**SIDE SEAL FOR FS2 GUIDE RAIL**

Countering heat loss and draught, plastic strips provided on shutter inner side with brush seal.



**RH End profile**

for rolling shutters V80 made of aluminium, extruded, with permanently elastic weather seal.



**Floor seal for TH80**

**Floor seal for TH80 rolling shutters**  
EPDM hose seal for inserting in TH80 profile.

**SPROCKET CHAIN WHEEL DRIVE WITH FAIL-SAFE DEVICE (SPECIAL DIMENSIONS)**

Low maintenance, completely oilsealed encased worm-drive safety gear with integrated limit-switch unit, including emergency manual crank or fast action hand chain hoist – as described in case of direct drive. However, with the necessary sprocket chain wheels of steel and the appropriate roller chain for the power transfer from the drive to the drum roller.

For this, the TÜV approved fail-safe device is required. This prevents the door-leaf from dropping down, even in case of failure of the supports.

**Drum construction**

Primed steel construction, 168mm minimum drum for improved winding

of the door curtain, with a 1/500 distortion along its length.

**Drum bracket**

This can be fixed using anchor bolts, screw through or welding. In the case of welding, the bracket is fastened against the on-site steel under-structure or pre-installed anchor plates, according to our alignment plans.

**Self-aligning ball bearing**

Heavy-duty dimensioning for the connection of the drum, placement on brackets.

**Emergency control**

from floor level, with emergency hand-operated chain-hoist.

**Installation / Electrical installation**

Our installation conditions are coordinated to the main existing standards. According to these, the installation and connection of all electric parts, in accordance with our circuit diagrams, as well as the power supply and wiring system of the parts with respect to each other with the necessary lines, are please remove provided on-site.

Main fusing and lockable main power switch normally provided by the customer, can also be installed.

Note: Alternately, you can use an electrical drive for alternating current, 230 V operating voltage



Ulti Group's Alu R is a high-speed exterior door with TH80 profiles that offers good insulation and burglar resistance.

**Specifications**

AluSpeed	Alu R
max. surface area (W x H)	25 m <sup>2</sup>
max. width (W)	5000 mm
max. height (H)	5000 mm
opening speed	1 m/s
closing speed	0.5 m/s
slat height (visible)	80 mm
slat thickness	20 mm
slat wall thickness	0.75 / 1 mm
slat material	anodised aluminium (E6/EV1)

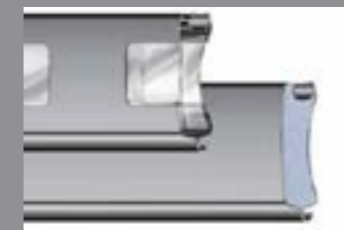
**Product Benefits**

- class 2 wind resistance (EN 12424) up to 5x5m door sizes
- frequency control included as standard
- compact size for easy installation
- U-shaped side guides
- supplied in the following colours as standard:

9002 9006 9007 9010 7016

**ALU R | TH100 | TH80 | V80**

**TH100 NATURAL ALUMINIUM**



**100mm, double layered lath** aluminium lath. A more conventional profile section, approximately 23mm thick. A thermal-insulating polyurethane, non-plasticized foam core with adhesive-free connection to the shell provides a high level of surface stability.

**THGL100 Aluminium glazed**

Aluminium lath with double glazed windows, double-walled plastic inserts (opaque), a maximum of 10 lath sections with windows per rolling shutter, Surfaces as TH100.

**TH80 NATURAL ALUMINIUM**

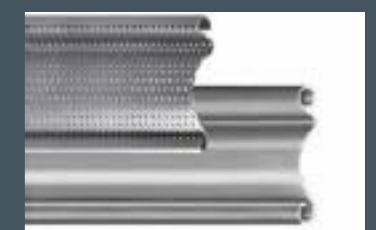


**80mm, double layered lath** aluminium lath, approximately 20mm thick. A thermal-insulating polyurethane, non-plasticized foam core with adhesive-free connection to the shell provides the highest level of surface stability. A uniquely developed profile section cut with precision optics creates a wind-tight door curtain, leading to lower headroom requirements.

**THGL80 Aluminium glazed**

Aluminium lath with double glazed windows, double-walled plastic inserts (opaque), a maximum of 5 lath sections with windows per rolling shutter, Surfaces as TH80

**V80 NATURAL ALUMINIUM OR STEEL**



**Single layer 80 mm lath** with classic profile, available in two different metal structures: 1mm or 1.25 mm thick, weather-resistant, natural aluminium, or alternatively in, 0.75mm or 1 mm thick, steel with galvanized surface.

**V80 L steel**

Single-skinned ventilation lath, available in steel only, 1 mm thick, with 5 mm perforations, allows approximately 25 % air passage. Standard finish galvanized. Paint coat option on both sides at additional cost. End profile natural aluminium (untreated) as standard.

## PERSONAL AND EXCLUSIVE



All Rolling shutters can be spray painted on one or both sides. This is an option at additional cost. Maximum door size 6000mm x 5000mm. All doors will have the bottom lath supplied in natural aluminium (untreated) as standard.

Also available in the following pre-coated colour. The RAL colors shown below may vary from the actual RAL colors.



Profile sections are also available painted in a wide range of RAL colours.



## PUT THE FINISHING TOUCH ON YOUR BUILDING



### Deadman's Control

The simplest of our door controls, the door will open after pressing the "Up" button once. The "Down" button however, must be held down to close the door until it completely closes. If your finger is removed at any time, the door will immediately stop.



### Impulse Control

The door will completely open when the "Up" push button is pressed, while fully closing when the "Down" push button is pressed using impulse control.

### Adjustable Automatic Delay Door Closer

The door automatic closes after the adjustable time delay is triggered. Used in conjunction with a safety edge and safety beam in the doorway.

### Expansions

- Remote control (up to 99 channels)
- Traffic regulation
- Interlocking on both sides with one or more doors
- External operation components such as radar, key switch, induction loop, etc.

## CONTROLS AND ACCESSORY OPTIONS



**Push Button Set**  
Up-Stop-Down  
(construction)



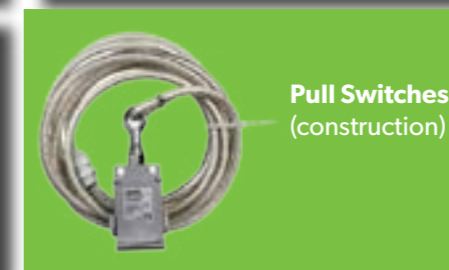
**Manual Transmitter**  
2 or 4 channels



**Safety Photocell**  
with reflector



**Up-Stop-Down Push Button Set**  
Key switch  
(construction)



**Pull Switches**  
(construction)



**Induction Loop Detector**  
In separate housing



**Push Button**  
(construction)



**Pull Switches**  
(construction)



**Traffic Light**  
Red/green



**Special Structures** (available at additional cost)

With our expertise, we also offer diverse and individual special solutions for unique situations and special customer preferences.



**Logistics Companies**

Rolling shutters traditionally guarantee secure and smooth work sequences in logistics companies.



**Side Mounting**  
profile section

Required when the necessary floor space needed for installing the rolling shutter is insufficient. Steel profile dimensions are in accordance with the shutter weight.

**Lintel seal for V80/TH100**

Countering heat loss and dryness:  
- V80 with perlon brushes  
- TH100 up to 5m wide with rubber lip seal, larger than 5m with perlon brushes.

**Lintel seal for TH80**

Countering heat loss and dryness:  
Through TH80 louvre with fixed integrated plastic seal.

**Vertical Facia Panel**

For installations where no lintel exists. The panel is from the same profile sections as the shutter door leaf; stationary; mounted in steel frame; alternatively bent galvanised steel plate.

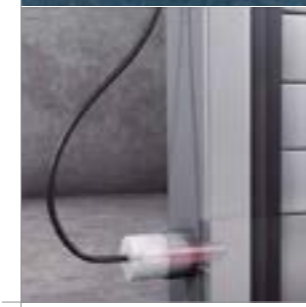
**Horizontal Facia Panel**

For installations where lintel is set back. Stationary panel made of bent galvanised steel plate; according to shutter type either single-walled or insulated.

**IMPROVED SECURITY AND USEABILITY**



**Burglary Protection**  
With lock cylinder, hand-grip, side locking bars and electronic safety switch that protect against the lifting of the shutter curtain. Included for on-site installation.



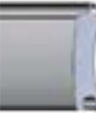




**Automatic Servo Lock**  
Bolts engage automatically on both sides every time the door closes. The rolling shutter curtain is securely locked into the door frame by laterally extending steel bolts. (Not possible on rolling grilles.)



**Accident-proof Contact Strip**  
The curtain's bottom rubber profile is equipped with a contact strip, instantly stopping the closing shutter if it encounters an obstacle. After which the shutter door opens to relieve impact pressure. This is commonly used in automatically operated shutters, but is otherwise available on request.



**Personnel Entrance Door**  
Standard size 875 x 2000 mm, for personnel traffic if the shutter door is closed. Fixed side section (approx. 1050 mm total width). The side door in the fixed or pivoting side section can also use profile sections, with similar designs to the rolling shutter.

Shutter Type / Description		Speed (approx. m/sec.)	Viewing Window	Sealed against draught	Slide-up protection	Galvanized surface	Ventilation elements	Painted surface	Electromechanical drive	Safety device acc. to Acc. Prev. Regs	Periodic tests required	Personnel/entrance door in the side section
Standard Rolling Shutters	 TH80 aluminium	0.20	◆	●	◆			◆	●	●	●	◆
	 TH100 aluminium	0.20	◆	●	◆			◆	●	●	●	◆
	 V80 aluminium	0.20		●	◆			◆	●	●	●	◆
	 V80 steel	0.20		●	◆	◆	◆	◆	●	●	●	◆
Quick-action	 Alu R aluminium	1.00	◆	●	◆			◆	●	●	●	◆

Legend: ● = standard  
◆ = optional (partially combined)



[www.ultigroup.co.nz](http://www.ultigroup.co.nz)



SPECIALIST  
**ACCESSWAY**  
SOLUTIONS



0800 807 753 | +64 9 407 9619 | [sales@ultigroup.co.nz](mailto:sales@ultigroup.co.nz)

Northland, Auckland, Waikato, Bay of Plenty, Taranaki, Manawatu, Wellington, Marlborough, Nelson, Christchurch