



Steel Roller Shutter

LIGHT COMMERCIAL MOTORISED LCM MODEL



SPECIALIST DOOR SOLUTIONS

0800 807 753

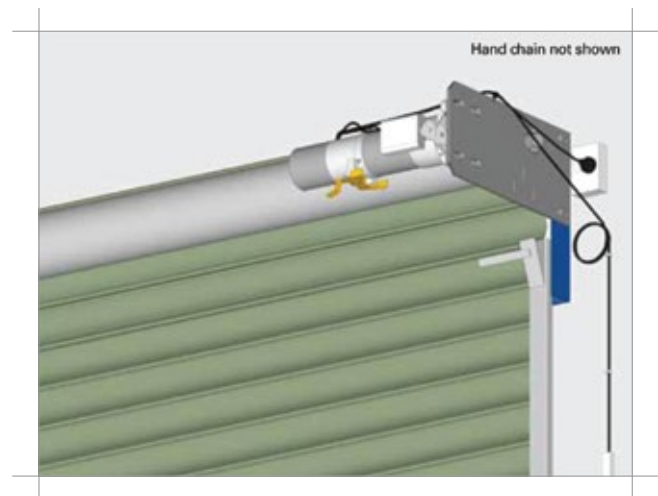
ultigroup.co.nz

CONFIDENCE AND PEACE OF MIND

when it comes to security



IDEAL FOR FACTORY UNITS, STORAGE FACILITIES, SHEDS, BARNs, SHOP FRONTS, AND ANY OTHER OPENING THAT REQUIRES HIGHER SECURITY THAN WHAT DOMESTIC ROLLER DOORS CAN PROVIDE OR WHERE PHASE 3 POWER ISN'T AVAILABLE.



FEATURES

- Our heavy duty curtains are made from individual rolls and replaceable interlocking galvanised slats.
- Equipped with single phase motor using a standard 3 pin plug and a pre-wired hanging control box.
- The motors are easily upgraded to an industrial grade gearbox with a single or 3 phase motor, increasing its durability and lifespan.
- Wicket gate as well as egress door options are available.
- An extensive array of powder coated colours (including Colorsteel equivalents) or Zinalume screens are also available.
- Ideal for doorways measuring 4.5m high, 4.25m wide and used about 10 times a day.
- Our shutters are custom-made to fit the size of ANY opening in a building.

CURTAIN

Assembled from roll formed, galvanised steel interlocked slats, each having an effective width of 100mm. The slats can be replaced individually if damaged. Ventilation slots optional.

BOTTOM BAR

Fitted to the lower edge of the curtain is an extruded aluminium bottom bar with a Neoprene weather seal.

GUIDES

Constructed from roll-formed galvanised steel. Standard guides have a depth of 50mm and fitted with formed bell mouths to accept the shutter curtain.

BARREL

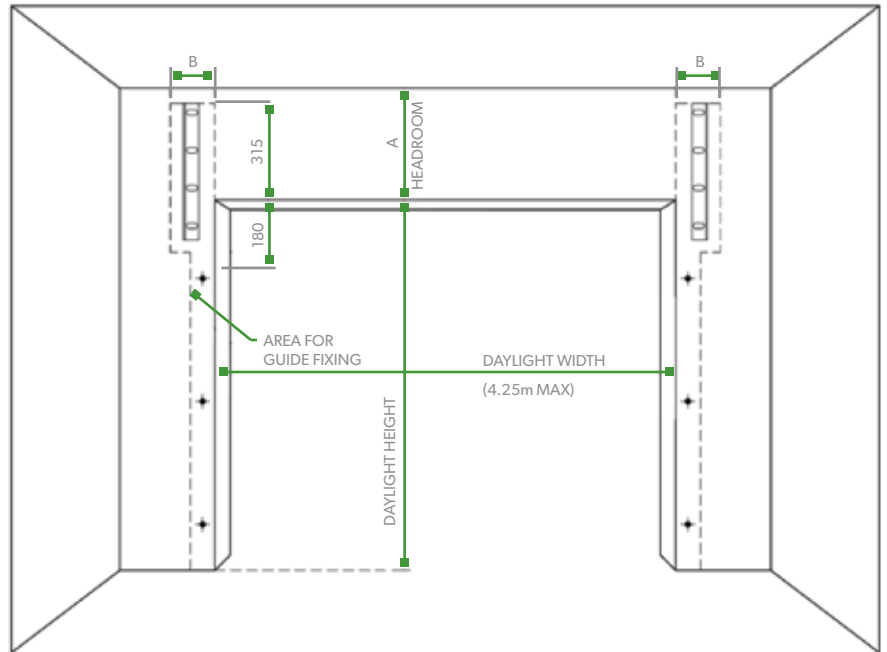
Shutter barrels are fabricated from galvanised steel tube with a minimum diameter of 165mm and of sufficient wall thickness to ensure that nominal deflection does not exceed safe working conditions. Helically wound counterbalance springs are contained within the barrel for ease of opening and increased safety.

ELECTRICAL OPERATION

The compact motorising units are powered by a 3 phase 0.37kW electric motor, driving an enclosed worm gearbox with chain reduction to the shutter barrel. Assemblies are supplied complete with reversing starter and limit switches. Operating speed is approximately 200mm per second. Single phase or manual operation can be specified.

Standard doors meet the 5 year durability requirements of the N.Z.B.C. Details available upon request.

TECHNICAL SPECIFICATIONS

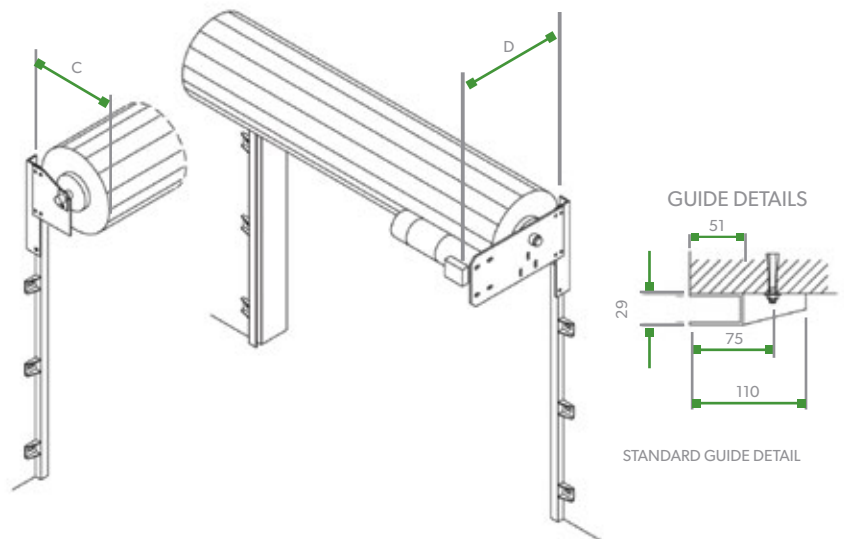


STEEL ROLLER SHUTTER (LCM) CLEARANCES

HEIGHT OF OPENING	HEADROOM	SIDEROOM	INSIDE PROJECTION BARREL	INSIDE PROJECTION MOTOR
(m)	A	B	C	D
0 - 4.0	450	145	400	600
4.0 - 4.5	450	145	430	630

Note - We recommend securing the emergency hand chain out of reach.

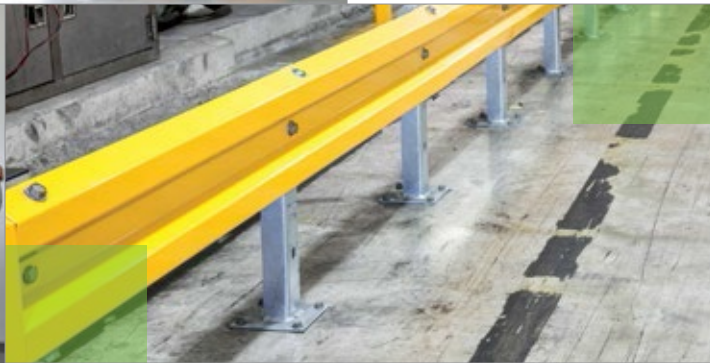
- Adjust the push button height by looping surplus cable clear of the motor drive.
- Push buttons should be secured to wall. Refer to installation manual.



We reserve the right to alter specifications without notice and without incurring obligation.



www.ultigroup.co.nz



SPECIALIST
ACCESSWAY
SOLUTIONS



0800 807 753 | +64 9 407 9619 | sales@ultigroup.co.nz

Northland, Auckland, Waikato, Bay of Plenty, Taranaki, Manawatu, Wellington, Marlborough, Nelson, Christchurch